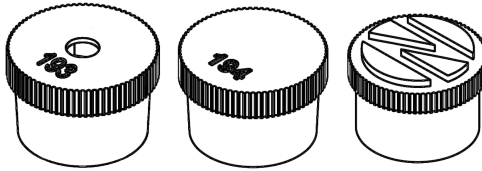


NEWLANDCAMERA



Add-On Accessories for Polaroid Land Cameras

Instruction Manual

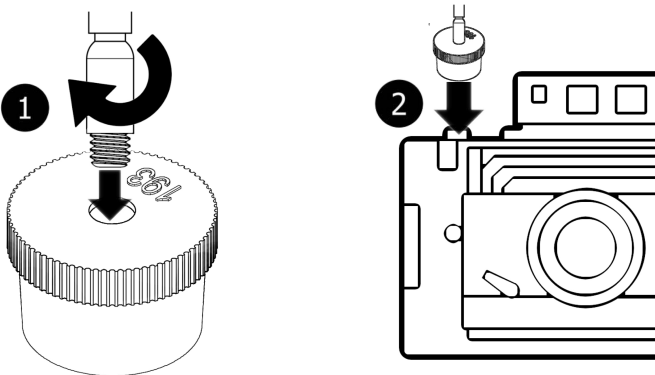
Cable Release Adapter #193

The Cable Release Adapter lets you use a standard cable release.

A cable release helps stop the camera from moving when taking a photo. It's a useful accessory for landscapes, portraits and long exposures.

Compatible with all Polaroid folding Land cameras 100-400 series.
Place the camera on a tripod or put it on a firm and stable surface.

1. Screw the cable release into the adapter clockwise
2. Push down the adapter firmly over the shutter button



Light Painting Cap #194

The Light Painting Cap keeps the shutter open without having to hold down the shutter button. It's a useful accessory when light painting in the dark or taking very long exposures.

Compatible with all Polaroid folding Land cameras 100-400 series.

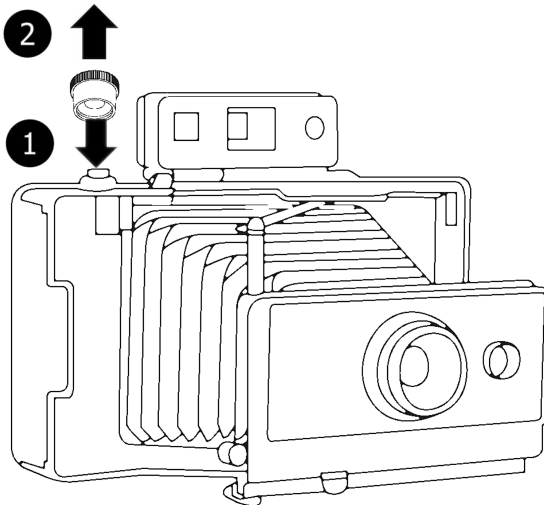
Note: Expose this accessory directly to light and it will glow in the dark.

- For automatic cameras: Use it along with the Light Meter Cover #195.
- For manual cameras: Set the shutter speed to Bulb (B).

Place the camera on a tripod or put it on a firm and stable surface.

When you are ready to take your image and you have cocked the shutter:

1. Push down the cap firmly over the shutter button to start exposure
2. After the exposure is complete, remove the cap to close the shutter



Light Meter Cover #195

The Light Meter Cover helps you take long exposures.

The shutter will stay open as long as you hold down the shutter button.

Compatible with automatic cameras models only (not manual models).

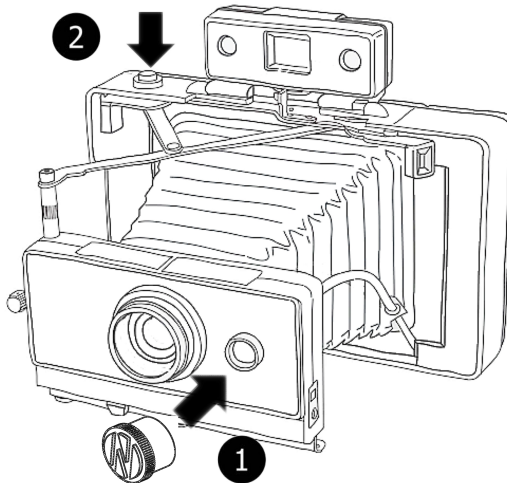
Note: Working battery is necessary for the automatic shutter to operate.

- Set the L/D wheel below the lens to darken, to lengthen the exposure time.
- This accessory can be used with the Light Painting Cap (accessory #194).

Place the camera on a tripod or put it on a firm and stable surface.

When you are ready to take your image and you have cocked the shutter:

1. Fit the accessory loosely over the cell of the electronic eye
2. Hold the shutter button down for the length of your exposure then release to close the shutter



Designed by Newlandcamera™

Free 3D files of the accessories are available to download and to print
<https://www.thingiverse.com/newlandcamera>

Licensed under Creative Commons – Attribution - Non-Commercial - 2022



NEWLAND

www.newlandcamera.com